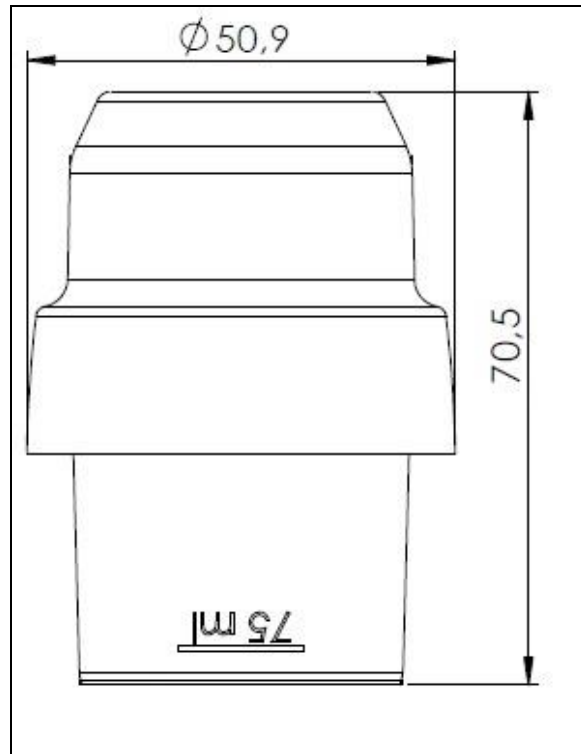


PLASTIC SRL



ARTICLE	S48
SHORT DESCRIPTION	MEASURING CAP FOR PET NECK
TYPE OF CAP	MEASURING
TYPE OF NECK	BERICAP 48
CAPACITY (ML)	80
NECK	<input type="checkbox"/> PE <input checked="" type="checkbox"/> PET
GRADUATED CAP	<input checked="" type="checkbox"/> YES <input type="checkbox"/> NO
PIECES FOR BOX	528
PIECES FOR PALLET	10.560
DIMENSIONS	Ø 50,9 h. 70,5

**According to law It is forbidden the reproduction of this technical draw without a pre-authorization*