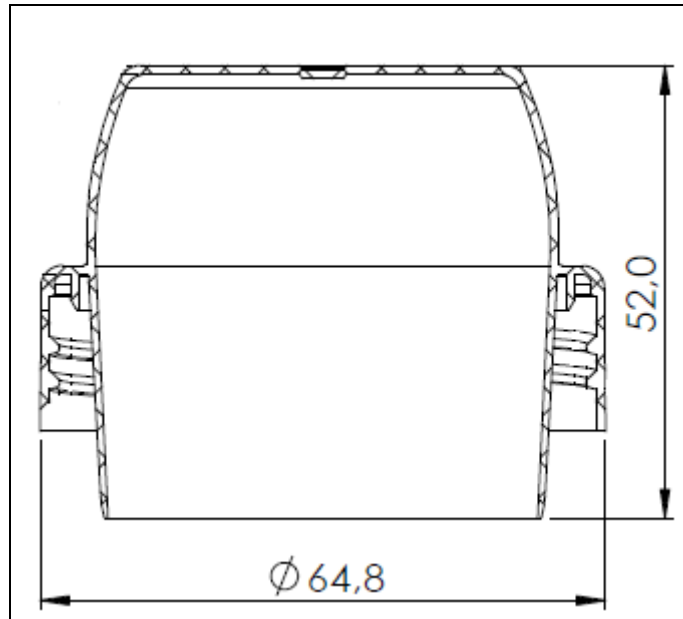


# PLASTIC SRL



ARTICLE	S44	
SHORT DESCRIPTION	BIG MEASURNG CAP FOR PE NECK	
TYPE OF CAP	MEASURING	
TYPE OF NECK	PE	
CAPACITY (ML)	100	
NECK	<input checked="" type="checkbox"/> PE	<input type="checkbox"/> PET
GRADUATED CAP	<input checked="" type="checkbox"/> YES	<input type="checkbox"/> NO
PIECES FOR BOX	420	
PIECES FOR PALLET	8.400	
DIMENSIONS	$\varnothing$ 64,8 h. 52	

*\*According to law It is forbidden the reproduction of this technical draw without a pre-authorization*