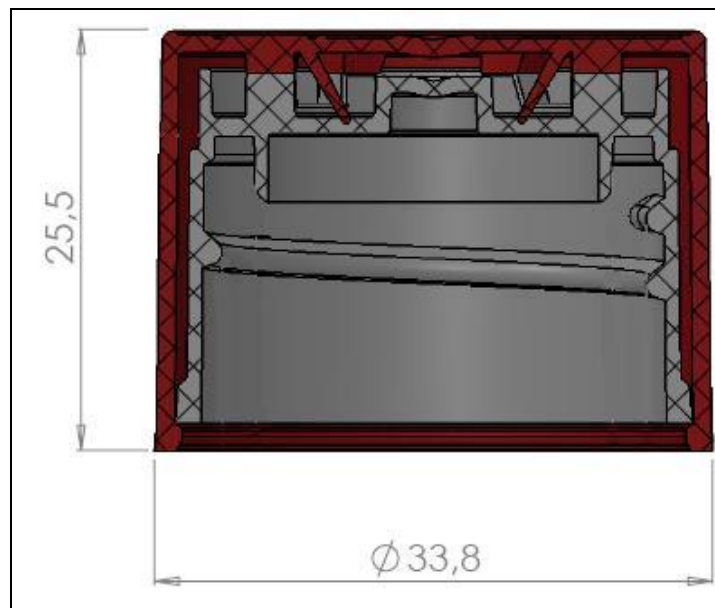


PLASTIC SRL



ARTICLE	S28
SHORT DESCRIPTION	CHILDPROOF CAP COMPOSED BY TWO ELEMENTS
TYPE OF CAP	CHILDPROOF
TYPE OF NECK	PET 28/410
NECK	<input type="checkbox"/> PE <input checked="" type="checkbox"/> PET
PIECES FOR BOX	2.850
PIECES FOR PALLET	45.600
DIMENSIONS	Ø 33,8 h. 25,5

**According to law It is forbidden the reproduction of this technical draw without a pre-authorization*