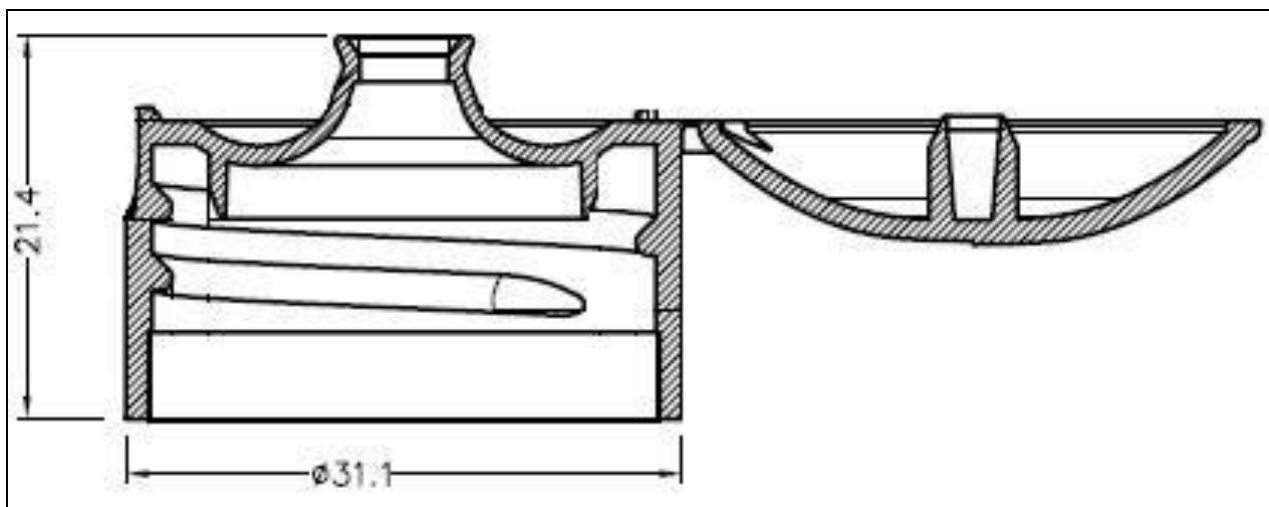


PLASTIC SRL



ARTICLE	PET28
SHORT DESCRIPTION	FLIP – TOP CAP FOR PET NECK
TYPE OF CAP	FLIP - TOP
TYPE OF NECK	PET 28/410
NECK	<input type="checkbox"/> PE <input checked="" type="checkbox"/> PET
PIECES FOR BOX	4.192
PIECES FOR PALLET	67.072
DIMENSIONS	Ø 31,1 h. 21,4

*According to law It is forbidden the reproduction of this technical draw without a pre-authorization