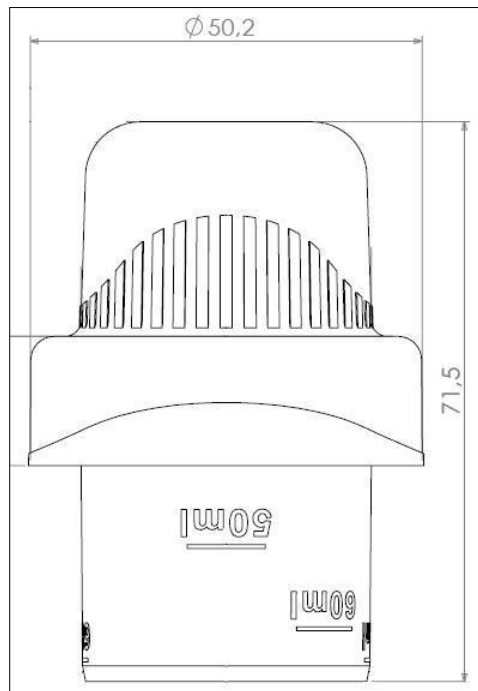


PLASTIC SRL



| | | |
|-------------------|---|---|
| ARTICLE | P66 | |
| SHORT DESCRIPTION | MEASURING CAP FOR PET NECK | |
| TYPE OF CAP | MEASURING | |
| TYPE OF NECK | BERICAP 48 | |
| CAPACITY (ML) | 66 | |
| NECK | <input type="checkbox"/> PE | <input checked="" type="checkbox"/> PET |
| GRADUATED CAP | <input checked="" type="checkbox"/> YES | <input type="checkbox"/> NO |
| PIECES FOR BOX | 600 | |
| PIECES FOR PALLET | 12.000 | |
| DIMENSIONS | Ø 50,2 h. 71,5 | |

*According to law It is forbidden the reproduction of this technical draw without a pre-authorization