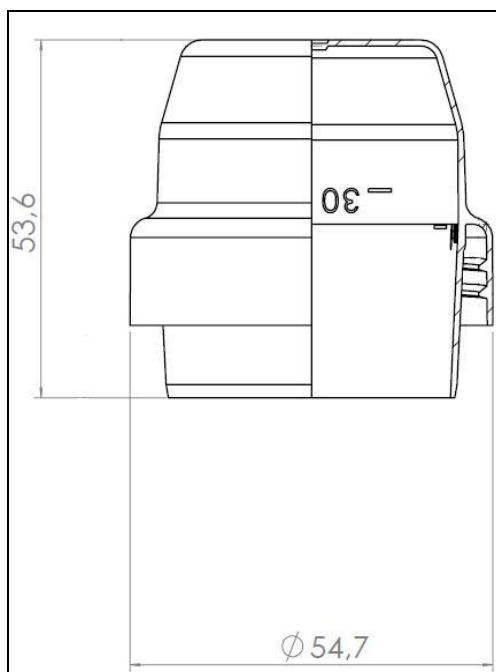


PLASTIC SRL



ARTICLE	N75	
SHORT DESCRIPTION	MEASURING CAP FOR PE NECK	
TYPE OF CAP	MEASURING	
TYPE OF NECK	PE	
CAPACITY (ML)	75	
NECK	<input checked="" type="checkbox"/> PE	<input type="checkbox"/> PET
GRADUATED CAP	<input checked="" type="checkbox"/> YES	<input type="checkbox"/> NO
PIECES FOR BOX	560	
PIECES FOR PALLET	11.200	
DIMENSIONS	Ø 54,7 h. 53,6	

**According to law It is forbidden the reproduction of this technical draw without a pre-authorization*