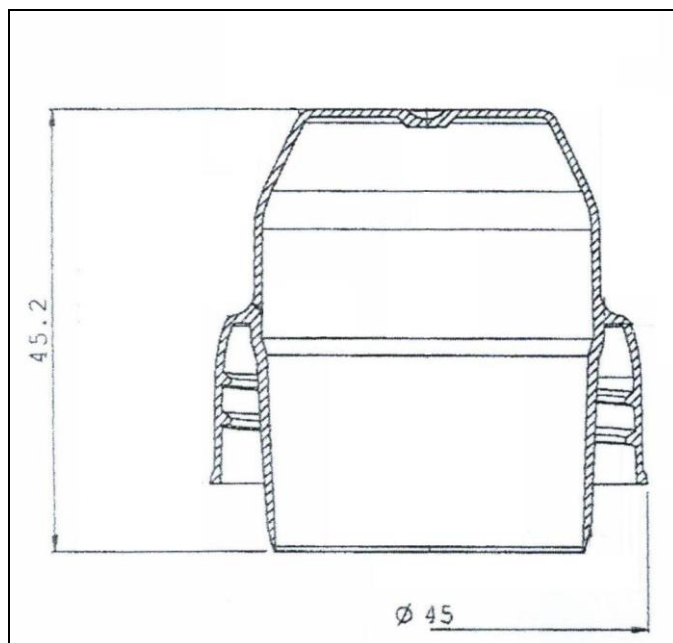


# PLASTIC SRL



ARTICLE	N46	
SHORT DESCRIPTION	SMALL MEASURING CAP	
TYPE OF CAP	MEASURING	
TYPE OF NECK	PE	
CAPACITY (ML)	30	
NECK	<input checked="" type="checkbox"/> PE	<input type="checkbox"/> PET
GRADUATED CAP	<input type="checkbox"/> YES	<input checked="" type="checkbox"/> NO
PIECES FOR BOX	1.104	
PIECES FOR PALLET	22.080	
DIMENSIONS	Ø 45 h. 45,2	

*\*According to law It is forbidden the reproduction of this technical draw without a pre-authorization*