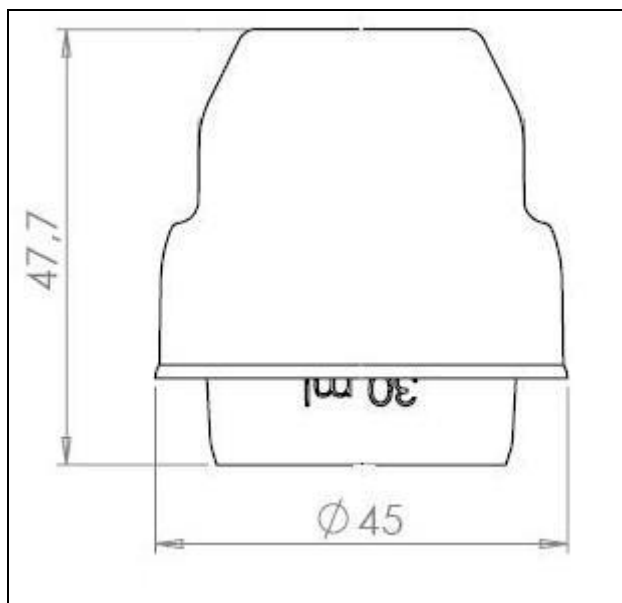


PLASTIC SRL



ARTICLE	N38	
SHORT DESCRIPTION	MEASURIN CAP	
TYPE OF CAP	MEASURING	
TYPE OF NECK	PE	
CAPACITY (ML)	38	
NECK	<input checked="" type="checkbox"/> PE	<input type="checkbox"/> PET
GRADUATED CAP	<input checked="" type="checkbox"/> YES	<input type="checkbox"/> NO
PIECES FOR BOX	1.040	
PIECES FOR PALLET	20.800	
DIMENSIONS	Ø 45 h. 47,7	

**According to law It is forbidden the reproduction of this technical draw without a pre-authorization*