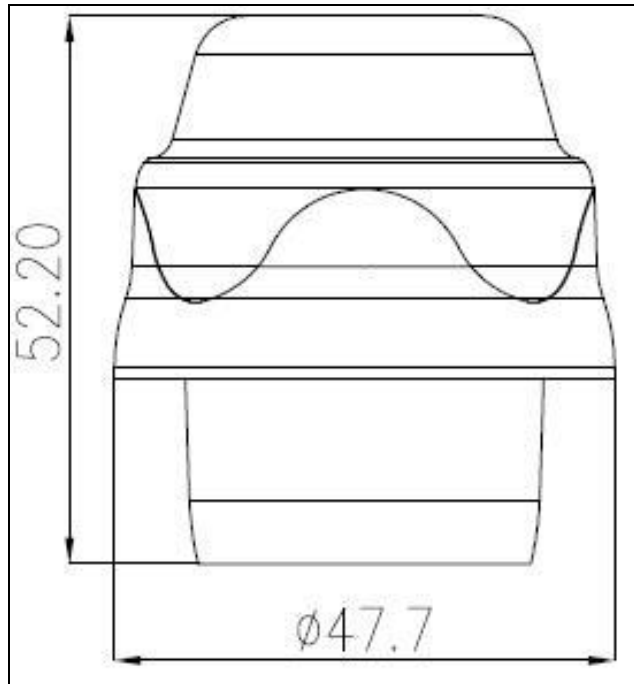


PLASTIC SRL



ARTICLE	MD46	
SHORT DESCRIPTION	SMALL MEASURING CAP FOR FABRIC SOFTENER	
TYPE OF CAP	MEASURING	
TYPE OF NECK	PE	
CAPACITY (ML)	43	
NECK	<input checked="" type="checkbox"/> PE	<input type="checkbox"/> PET
GRADUATED CAP	<input type="checkbox"/> YES	<input checked="" type="checkbox"/> NO
PIECES FOR BOX	880	
PIECES FOR PALLET	17.600	
DIMENSIONS	\varnothing 47,7 h. 52,2	

**According to law It is forbidden the reproduction of this technical draw without a pre-authorization*