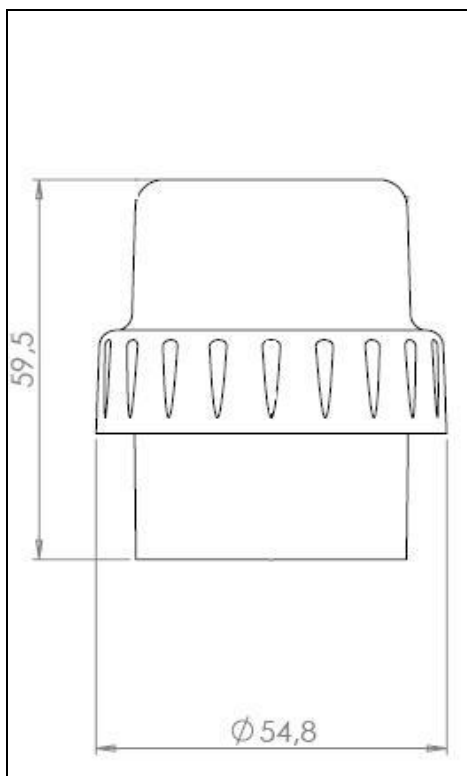


PLASTIC SRL



ARTICLE	G55
SHORT DESCRIPTION	MEASURING CAP FOR FABRIC SOFTENER
TYPE OF CAP	MEASURING
TYPE OF NECK	PE
CAPACITY (ML)	75
NECK	<input checked="" type="checkbox"/> PE <input type="checkbox"/> PET
GRADUATED CAP	<input type="checkbox"/> YES <input checked="" type="checkbox"/> NO
PIECES FOR BOX	528
PIECES FOR PALLET	10.560
DIMENSIONS	Ø 54,8 h. 59,5

**According to law It is forbidden the reproduction of this technical draw without a pre-authorization*