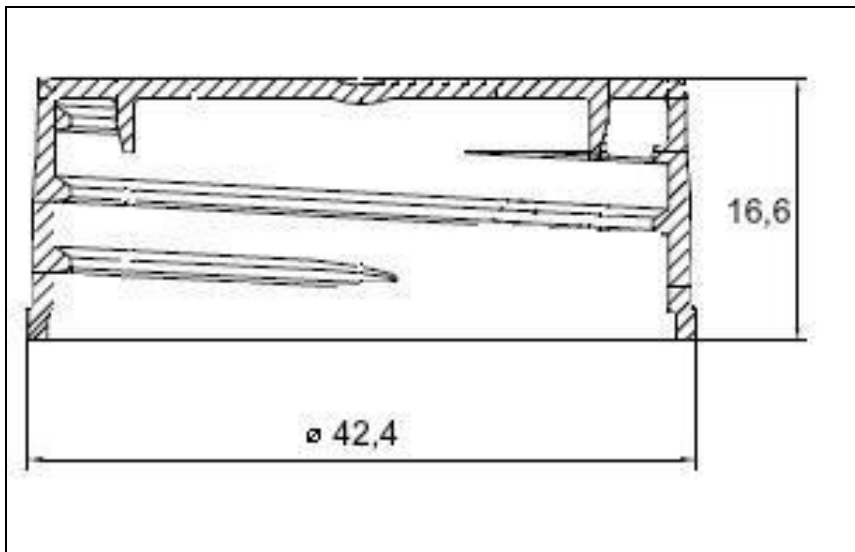


PLASTIC SRL



ARTICLE	G44	
SHORT DESCRIPTION	REFILL CAP	
TYPE OF CAP	REFILL	
TYPE OF NECK	PE	
NECK	<input checked="" type="checkbox"/> PE	<input type="checkbox"/> PET
PIECES FOR BOX	2.900	
PIECES FOR PALLET	58.000	
DIMENSIONS	\varnothing 42,4 h. 16,6	

**According to law It is forbidden the reproduction of this technical draw without a pre-authorization*