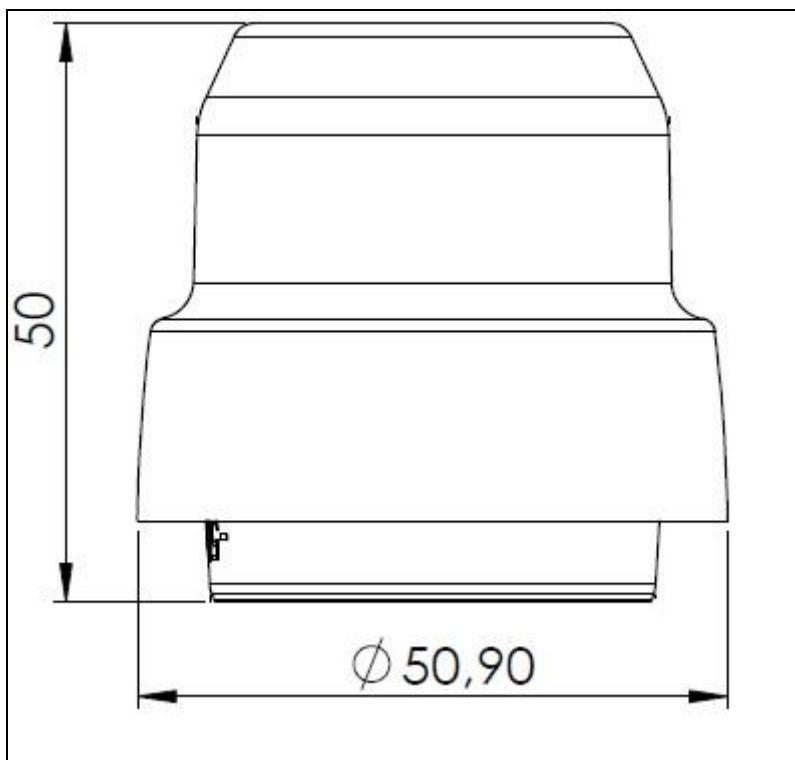


PLASTIC SRL



| | | |
|-------------------|---|---|
| ARTICLE | D48R | |
| SHORT DESCRIPTION | MEASURING CAP FOR PET NECK | |
| TYPE OF CAP | MEASURING | |
| TYPE OF NECK | BERICAP 48 | |
| CAPACITY (ML) | 55 | |
| NECK | <input type="checkbox"/> PE | <input checked="" type="checkbox"/> PET |
| GRADUATED CAP | <input checked="" type="checkbox"/> YES | <input type="checkbox"/> NO |
| PIECES FOR BOX | 768 | |
| PIECES FOR PALLET | 15.360 | |
| DIMENSIONS | Ø 50,9 h. 50 | |

**According to law It is forbidden the reproduction of this technical draw without a pre-authorization*