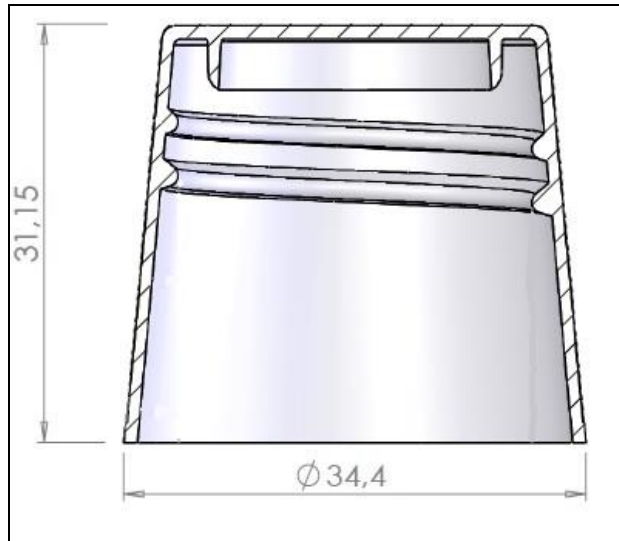


PLASTIC SRL



ARTICLE	C28	
SHORT DESCRIPTION	MEASURING CAP WITH WAVES AESTHETIC	
TYPE OF CAP	MEASURING	
TYPE OF NECK	PET 28/410	
CAPACITY (ML)	20	
NECK	<input type="checkbox"/> PE	<input checked="" type="checkbox"/> PET
GRADUATED CAP	<input type="checkbox"/> YES	<input checked="" type="checkbox"/> NO
PIECES FOR BOX	TO DEFINE YET	
PIECES FOR PALLET	TO DEFINE YET	
DIMENSIONS	Ø 34,4 h. 31,15	

**According to law It is forbidden the reproduction of this technical draw without a pre-authorization*