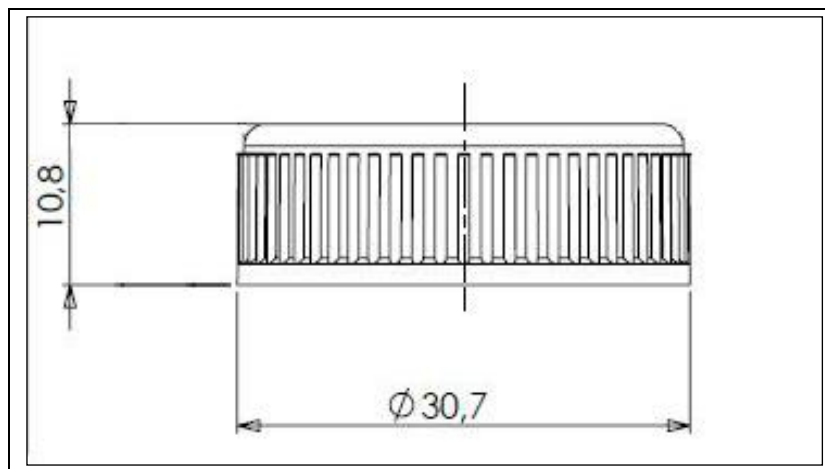


PLASTIC SRL



ARTICLE	B28	
SHORT DESCRIPTION	REFILL CAP	
TYPE OF CAP	REFILL	
TYPE OF NECK	PE	
NECK	<input checked="" type="checkbox"/> PE	<input type="checkbox"/> PET
PIECES FOR BOX	8.000	
PIECES FOR PALLET	128.000	
DIMENSIONS	Ø 30,7 h. 10,8	

**According to law It is forbidden the reproduction of this technical draw without a pre-authorization*