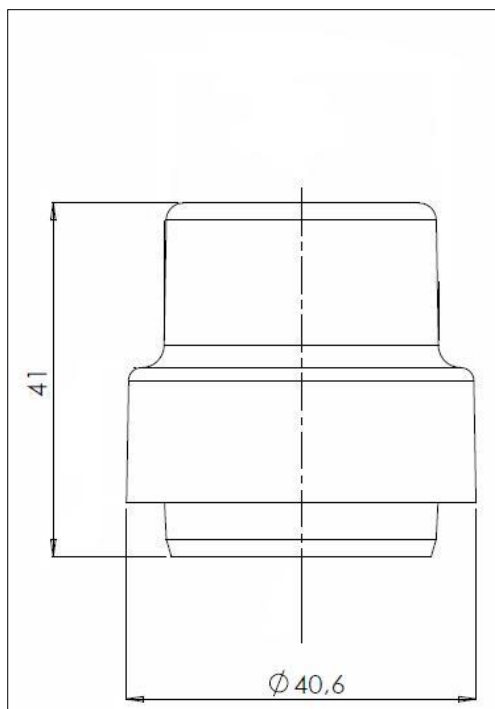


PLASTIC SRL



ARTICLE	B138	
SHORT DESCRIPTION	MEASURING CAP FOR PET NECK	
TYPE OF CAP	MEASURING	
TYPE OF NECK	BERICAP 38	
CAPACITY (ML)	29	
NECK	<input type="checkbox"/> PE	<input checked="" type="checkbox"/> PET
GRADUATED CAP	<input type="checkbox"/> YES	<input checked="" type="checkbox"/> NO
PIECES FOR BOX	1.408	
PIECES FOR PALLET	28.160	
DIMENSIONS	Ø 40,60 h. 41	

**According to law It is forbidden the reproduction of this technical draw without a pre-authorization*